

Air Pressure Switch(Variable)

(SAPS 2V) (SAPS 3V) (SAPS 5V) (SAPS 10V)

PRODUCT SPECIFICATION SHEET



FEATURES

- This switch operates by a positive pressure and negative pressure, a differential pressure.
- This switch is operated to low pressure of 0 to 100mbar and a user is able to request necessary pressure point.
- This switch has a various imitation of pressure setup.

CONTENTS

| | |
|----------------------|-----|
| Application | 1 |
| Features | 1 |
| Specifications | 1~2 |
| Dimensions | 2 |

APPLICATION

This switch is used in air pressure sensing.

This switch has application to sensing of exhaust gas in oil, gas boiler and fan heater.

SPECIFICATIONS

| | | |
|--------------------------------|--|--------------|
| Type | : Differential pressure type | |
| Installation | : Standard diaphragm vertical (factory setting) | |
| | When the switch is rotated to horizontal the switching points will change by 0.25mbar. | |
| Sensing fluid | : Air | |
| Electrical ratings | : 5A – 250VAC(Resistive load) | |
| Allowable temperature | : -20 ~ 60℃ | |
| Operating pressure range (Max) | : 100 mbar | |
| Mounting | : 3 locating holes 4.2 for M4 locating screws. | |
| Material | : Body | PC (G/F 30%) |
| | : Diaphragm | Silicon |
| | : Spring | SUS304 |

SPECIFICATIONS

| Model | SAPS 2V | SAPS 3V | SAPS 5V | SAPS 10V |
|--------------------------|--|------------------|----------------|---------------|
| Operating pressure range | : 0.2 ~ 2 mbar | : 0.3 ~ 3 mbar | : 0.5 ~ 5 mbar | : 1 ~ 10 mbar |
| (Δ P) | : ≤ 0.4 mbar | : ≤ 0.5 mbar | : ≤ 0.6 mbar | : ≤ 0.8 mbar |
| Leak tightness | : 120 cm ³ /h (Pressure condition 100mbar) | | | |
| Humidity | : RH 0 ~ 80% | | | |
| Shock | : 5G | | | |
| Constant resistance | : Initial, 150 mΩ (Max) | | | |
| Insulation resistance | : 100 MΩ, Min. DC500V Megger | | | |
| Dielectric strength | Terminal – Terminal | : 800 VAC/1 min | | |
| | Terminal – Earth | : 1500 VAC/1 min | | |
| Mechanical life cycle | : 200,000 Cycle | | | |
| Electrical life cycle | : 100,000 Cycle | | | |
| IEC-529 Standard | : IP 44 | | | |
| Air connection | : Silicone or poly amide, polyurethane hose (Φ 5 X Φ 7) | | | |
| Installation screw | : M4 | | | |
| Electrical connection | : Male fast on 6.3X0.8mm | | | |
| | : Male fast on 4.8X0.5mm | | | |

DIMENSIONS

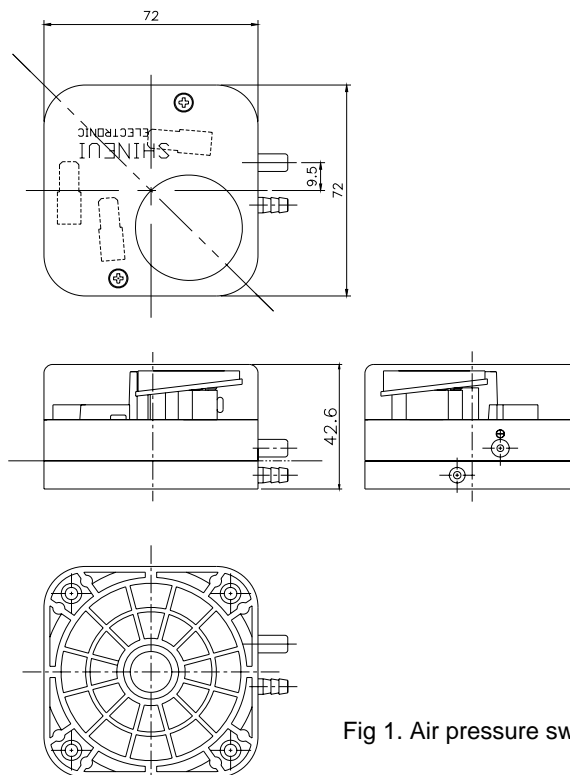


Fig 1. Air pressure switch(SAPS...V)

The specifications and dimensions can be changed without warning



Product Service

EC-Attestation of Conformity

No. N8 07 04 49624 007

Holder of Certificate: Shineui Electronics Co., Ltd.440-17, Cheongcheon-Dong
403-030 Bupyeong-Gu, Incheon
KOREA**Product: Switches
(Air-pressure Switch)**

This EC-Attestation of Conformity is issued on a voluntary basis according to the Low Voltage Directive 2006/95/EC relating to electrical equipment designed for use within certain voltage limits. It confirms that the listed equipment complies with the principal protection requirements of the directive. It refers only to the particular sample submitted for testing and certification. See also notes overleaf.

Test report no.: CPSA0111727



Date, 2007-04-04



After preparation of the necessary technical documentation as well as the conformity declaration the required CE marking can be affixed on the product. Other relevant directives have to be observed.

Page 1 of 2



Product Service

EC-Attestation of Conformity
No. N8 07 04 49624 007

Model(s): SAPS2V, SAPS3V, SAPS5V, SAPS10V

| | | |
|--|---------------------------|--|
| Parameters: | Rated input voltage: | 250 V a.c. |
| | Rated frequency: | 50/60 Hz |
| | Rated input current: | 5 A |
| | Maximum working pressure: | 100 mbar |
| | Operating pressure range: | 0.2-2.0 mbar (SAPS2V) 0.3-3.0 mbar (SAPS3V) 0.5-5.0 mbar (SAPS5V) 1 - 10 mbar (SAPS10V) |
| | Protection class: | Class II |
| Degree of protection against ingress of liquids: | IPX0 | |

Tested according to: EN 60730-1:A14:2005
 EN 60730-2-6:1995/A2:1998